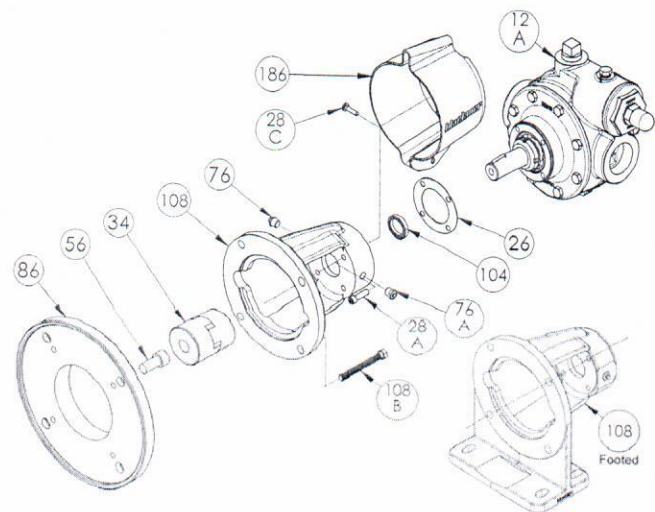


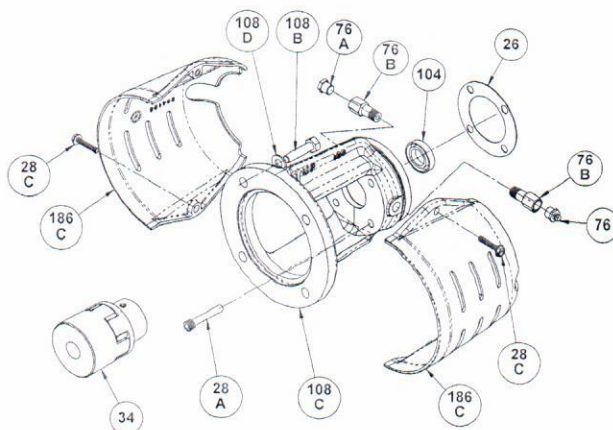
NEMA C-Face Motor Adaptors
Models: LGRF1.25A, LGLF1.25A, LGLF1.5A

Ref. No.	Description	Parts per Pump	Part No.
12A	Casing without Feet – LG(R)LF1.25	1	013077
	Casing without Feet – LGLF1.5		013377
26	Gasket - Bearing Cover	1	383075
28A	Motor Adaptor Mounting Screws	4	920101
28C	Guard Screw	1	920026
34	Coupling Half – Pump	1	906147
	Coupling Spider		906155
	Coupling Half – Motor (56C)		906151
	Coupling Half – Motor (143TC,145TC,184C)		906147
	Coupling Half – Motor (182TC,184TC,215C)		906146
56	Capscrews – Adapter Ring Mounting	4	920480
76	Grease Fitting	1	317815
76A	Grease Relief Fitting	1	701992
86	Motor Adapter Ring - 182TC,184TC,215C	1	832914
104	Grease Seal	1	331927
108	Motor Adaptor – Unfooted	1	832912
	Motor Adaptor – Footed (Both include Ref. 76 & 76A)		833000
108B	Capscrews - Motor Adaptor	4	920331
186	Guard	1	804120



IEC Flanged Face Motor Adaptor
Models: LGRF1.25A, LGLF1.25A, LGLF1.5A

Ref. No.	Description	Parts per Pump	Part No.
26	Gasket - Bearing Cover	1	383075
28A	Motor Adaptor Mounting Screws	4	920101
28C	Guard Screw	2	920026
34	Coupling Half – Pump (for IEC100/112)	1	906182
	Coupling Spider (for IEC100/112)		906178
	Coupling Half – Motor (IEC100/112)		906180
76	Grease Fitting	1	317815
76A	Grease Relief Fitting	1	701992
76B	Extension Coupling	2	701905
104	Grease Seal	1	331927
108B	Capscrew – Motor Adaptor to Motor	4	920044
108C	Motor Adaptor (IEC 100/112 B14A) Includes Ref. Nos. 76, 76A & 76B	1	832930
108D	Washer	4	792094
186C	Guard Half	2	804198



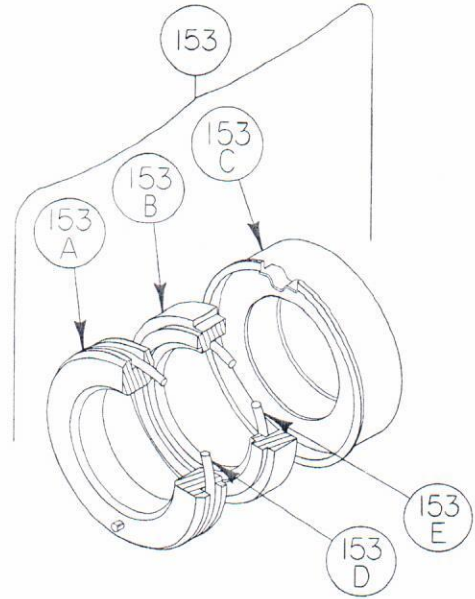
1809 Century Avenue, Grand Rapids, Michigan 49503-1530, U.S.A.
 Telephone: (616) 241-1611 / Fax: (616) 241-3752
 E-Mail: blackmer@blackmer.com / Internet: www.blackmer.com

MECHANICAL SEAL

Ref. No.	Part Name	Parts Per Pump	Part No.
153	Mechanical Seal Assembly	2	¹ 333045
153A	Stationary Seat (Hardened Steel)	2	**
153B	Seal Face (Carbon)	2	**
153C	Jacket Assembly	2	**
153D	O-Ring – Stationary (Buna-N)	2	711916
153E	O-Ring – Rotating (Buna-N)	2	711915

¹ Included in Maintenance Kits and Rebuild Kits

** Not available as separate replacement parts.



4-VANE ROTOR/SHAFT PARTS

Ref. No.	Part Name	Parts Per Pump	Part No.
13A	Rotor & Shaft Assembly, Four Vane (Includes Ref. Nos. 24A & 24B)	1	² 263076
14	Vane – Duravane	4	¹ 093088
41A	Liner – LGRL(F)1.25 [4 - Vane Only]	1	² 183003
	Liner – LGL(F)1.25 [4 - Vane Only]		² 183004
	Liner – LGL(F)1.5 [4 - Vane Only]		² 183301
77	Push Rod – LGRL(F)1.25	2	¹ 123004
	Push Rod – LGL(F)1.25		¹ 123076
	Push Rod LGL(F)1.5		¹ 123401

Part Name	Part No.
Kit – Maint LGRL(F)1.25A [4 Vane]	898917
Kit - Maint LGL(F)1.25(A) [4 Vane]	898918
Kit - Maint LGL(F)1.5(A) [4 Vane]	898919
Kit - Rebuild LGRL(F)1.25A [4 Vane]	899017
Kit - Rebuild LGL(F)1.25(A) [4 Vane]	899018
Kit - Rebuild LGL(F)1.5(A) [4 Vane]	899019



1809 Century Avenue, Grand Rapids, Michigan 49503-1530, U.S.A.

Telephone: (616) 241-1611 / Fax: (616) 241-3752

E-Mail: blackmer@blackmer.com / Internet: www.blackmer.com

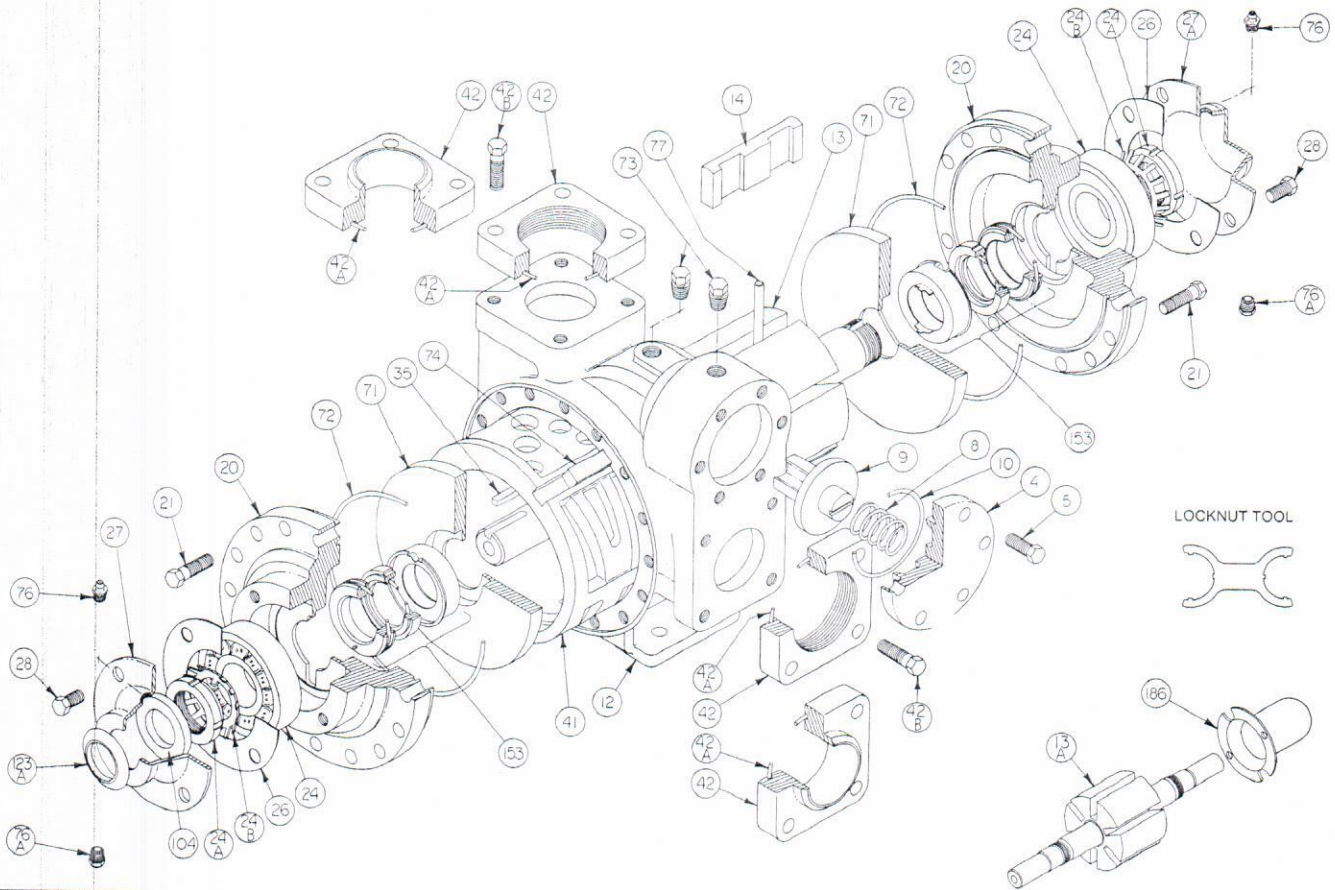
Parts List 501-B01

Page 3 of 3

BLACKMER PARTS LIST

PUMP MODELS: LGLD2E, LGL2E, LGLD3F, LGL3F
and discontinued LGLD3E, LGL3E
Keep with 501-C00 Installation, Operation and Maintenance Instructions

Section 501
Effective Jun 2011
Replaces May 2009



Ref. No.	Description	Parts Per Pump	Size 2 Part No.	Size 3 Part No.	Ref. No.	Description	Parts Per Pump	Size 2 Part No.	Size 3 Part No.
4	Cover - Relief Valve (R/V)	1	414401	415113	35	Key - Shaft, 1/4" Square	1	^{1,7} 909209	^{1,7} 909209
5	Capscrews - R/V Cover	6	920331	920331	41	Liner	1	² 184405	² 185111
8	Spring - R/V	1	¹ 471423	¹ 475135	42	Flange - NPT	2	654401	655112
9	Valve - R/V	1	454405	455129		Flange - Weld		654405	655102
10	O-Ring - R/V Cover	1	¹ 701919	¹ 701925	42A	O-Flange	2	¹ 702004	¹ 702002
12	Casing	1	014405	015127	42B	Capscrew - NPT Flange	8	920384	920547
13	Rotor & Shaft Assy. - LGL (Includes Ref. Nos. 24A & 24B)	1	264443	265149		Capscrew - Weld Flange		920351	920510
13A	Rotor & Shaft Assy. - LGLD ⁵ (Includes Ref. Nos. 24A & 24B)	1	² 264445	² 265148	71	Disc	2	¹ 064412	¹ 065112
14	Vane - Duravane (Std.)	6	¹ 091419	¹ 095131	72	O-Ring - Head	2	¹ 702022	¹ 702041
20	Head	2	034416	035128	73	Gage Plug	2	908198	908198
21	Capscrews - Head (Size 2)	32	920351	N/A	74	Key - Liner	1	^{2,8} 183991	² 185191
	Capscrews - Head (Size 3)	40	N/A	920369	76	Grease Fitting	2	317815	317815
24	Ball Bearing	2	¹ 903156	¹ 903166	76A	Grease Relief Fitting	2	701992	701992
24A	Locknut - Bearing	2	² 903521	² 903523	77	Push Rod	3	^{1,6} 123905	^{1,6} 125110
24B	Lockwasher - Bearing	2	¹ 903522	¹ 903524	104	Grease Seal	1	^{1,3} 331918	^{1,3} 331908
26	Gasket - Bearing Cover	2	¹ 383940	¹ 385125	123A	Dirt Shield	1	^{1,3} 701480	N/A
27	Bearing Cover (Inboard) ³	1	041431	041815	186	Shaft Protector (LGLD Models Only)	1	341601	341801
27A	Bearing Cover (Outboard) ⁴	1	041433	041817	—	Tool - Locknut	—	903091	903091
28	Capscrews - Bearing Cover	8 - 12	920285	920285	—	Kit - Maintenance	—	898979	898981
					—	Kit - Rebuild	—	899079	899081

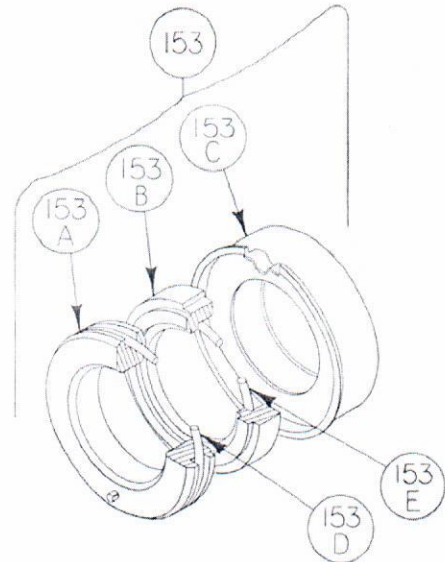
¹ Included in Maintenance Kit and Rebuild Kit ² Included in Rebuild Kit
The following applies to double end shaft pumps (LGLD): ³ Use Two ⁴ Use None
⁵ Double-Ended Rotor & Shaft. ⁶ 2" pushrod is metal, 3" is composite.
⁷ Pumps before April 2008 used Woodruff key 909130, included in Maintenance kits. ⁸ Pump before 1995 require liner key 184407.

MECHANICAL SEAL – NH₃ OR DUAL SERVICE – SNCN (ID Code = QA)

Ref. No.	Part Name	Parts Per Pump	Size 2 Part No.	Size 3 Part No.
153	Mechanical Seal Assembly	2	¹ 334439	¹ 335225
153A	Stationary Seat (Steel)	2	**	**
153B	Seal Face (Carbon)	2	**	**
153C	Jacket Assembly	2	**	**
153D	O-Ring - Stationary (Buna-N)	2	711924	702025
153E	O-Ring Rotating (Buna-N)	2	711918	711912

¹ Included in Maintenance Kit and Rebuild Kit

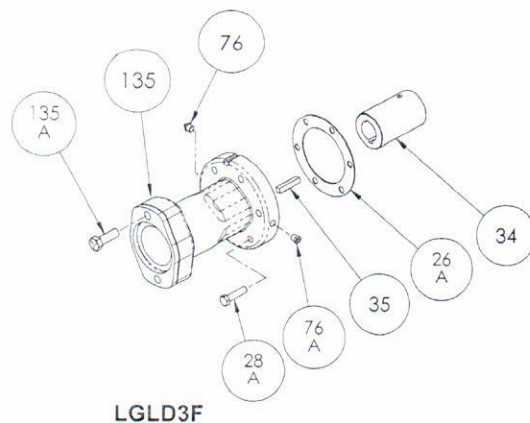
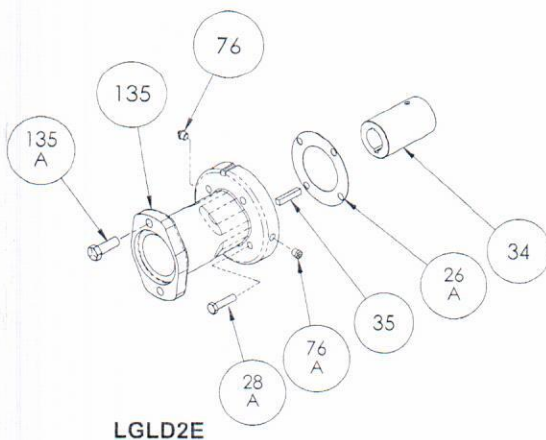
** NOTE: Mechanical Seal Ref. No. 153 is only sold as a complete assembly. Ref. Nos. 153A, 153B & 153C are not available as separate replacement parts.



OPTIONAL HYDRAULIC MOTOR ADAPTER PARTS

Ref. No.	Part Name	Parts Per Pump	Size 2 Part No. 1-1/4" Hyd Motor Shaft	Size 3 Part No. 1-1/4" Hyd Motor Shaft	Size 3 Part No. 1" Hyd Motor Shaft
See Below	Hydraulic Motor Adapter Kit *	See Below	894425	895140	895143
26A	Gasket- Hydraulic Motor Adapter	1	383940	381817	381817
28A	Capscrew – Hydraulic Motor Adapter / Head	4 / 6	920369	920369	920369
34	Coupling w/ Setscrew – straight key hydraulic motor shaft	1	906967	906967	906990
35	Key – Coupling	1	909184	909184	909184
76	Grease Fitting	1	317815	317815	317815
76A	Grease Relief Fitting	1	701992	701992	701992
135	Hydraulic Motor Adapter – SAE A Flange	1	041827	041831	041831
135A	Capscrew – Adapter / Motor	2	920510	920510	920510

* Hydraulic Motor Adapter Kits shipped prior to Spring 2002 were of a two piece design – refer to page 206-C00.



1809 Century Avenue, Grand Rapids, Michigan 49503-1530, U.S.A.
 Telephone: (616) 241-1611 / Fax: (616) 241-3752
 E-Mail: blackmer@blackmer.com / Internet: www.blackmer.com

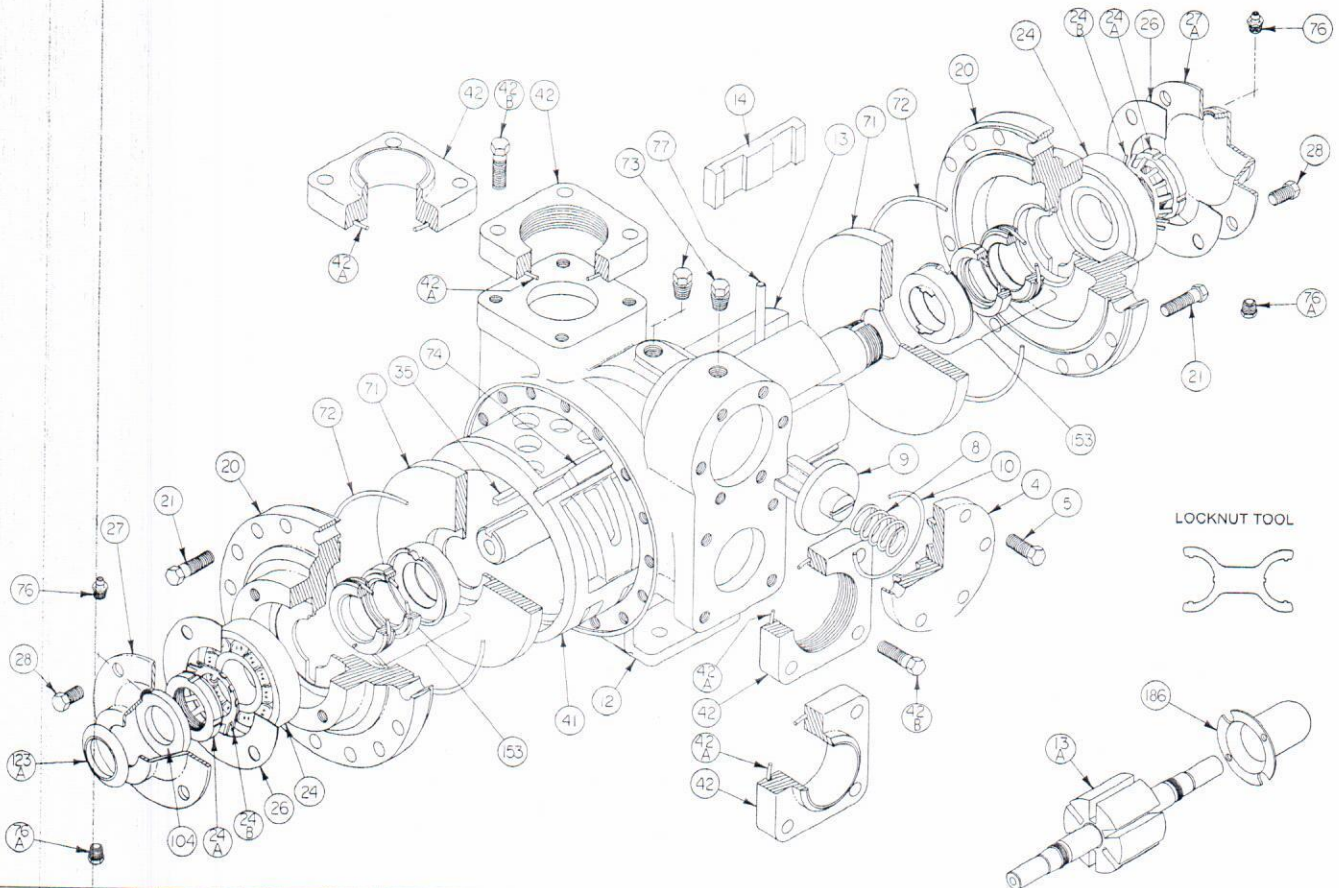
BLACKMER PARTS LIST

PUMP MODELS: LGLD2E, LGL2E, LGLD3F, LGL3F
and discontinued LGLD3E, LGL3E

Keep with 501-C00 Installation, Operation and Maintenance Instructions

960418 **PARTS LIST**
Page 1 of 2 **501-C01**

Section 501
Effective Jun 2011
Replaces May 2009



Ref. No.	Description	Parts Per Pump	Size 2 Part No.	Size 3 Part No.	Ref. No.	Description	Parts Per Pump	Size 2 Part No.	Size 3 Part No.
4	Cover - Relief Valve (R/V)	1	414401	415113	35	Key - Shaft, 1/4" Square	1	^{1,7} 909209	^{1,7} 909209
5	Capscrews - R/V Cover	6	920331	920331	41	Liner	1	² 184405	² 185111
8	Spring - R/V	1	471423	475135	42	Flange - NPT	2	654401	655112
9	Valve - R/V	1	454405	455129		Flange - Weld		654405	655102
10	O-Ring - R/V Cover	1	701919	701925	42A	O-Ring - Flange	2	¹ 702004	¹ 702002
12	Casing	1	014405	015127	42B	Capscrew - NPT Flange	8	920384	920547
13	Rotor & Shaft Asy. - LGL (Includes Ref. Nos. 24A & 24B)	1	264443	265149		Capscrew - Weld Flange		920351	920510
13A	Rotor & Shaft Asy. - LGLD ⁵ (Includes Ref. Nos. 24A & 24B)	1	² 264445	² 265148	71	Disc	2	¹ 064412	¹ 065112
14	Vane - Duravane (Std.)	6	¹ 091419	¹ 095131	72	O-Ring - Head	2	¹ 702022	¹ 702041
20	Head	2	034416	035128	73	Gage Plug	2	908198	908198
21	Capscrews - Head (Size 2)	32	920351	N/A	74	Key - Liner	1	^{2,8} 183991	² 185191
	Capscrews - Head (Size 3)	40	N/A	920369	76	Grease Fitting	2	317815	317815
24	Ball Bearing	2	¹ 903156	¹ 903166	76A	Grease Relief Fitting	2	701992	701992
24A	Locknut - Bearing	2	² 903521	² 903523	77	Push Rod	3	^{1,6} 123905	^{1,6} 125110
24B	Lockwasher - Bearing	2	¹ 903522	¹ 903524	104	Grease Seal	1	^{1,3} 331918	^{1,3} 331908
26	Gasket - Bearing Cover	2	¹ 383940	¹ 385125	123A	Dirt Shield	1	^{1,3} 701480	N/A
27	Bearing Cover (Inboard) ³	1	041431	041815	186	Shaft Protector (LGLD Models Only)	1	341601	341801
27A	Bearing Cover (Outboard) ⁴	1	041433	041817	—	Tool - Locknut	—	903091	903091
28	Capscrews - Bearing Cover	8 - 12	920285	920285	—	Kit - Maintenance	—	898979	898981
					—	Kit - Rebuild	—	899079	899081

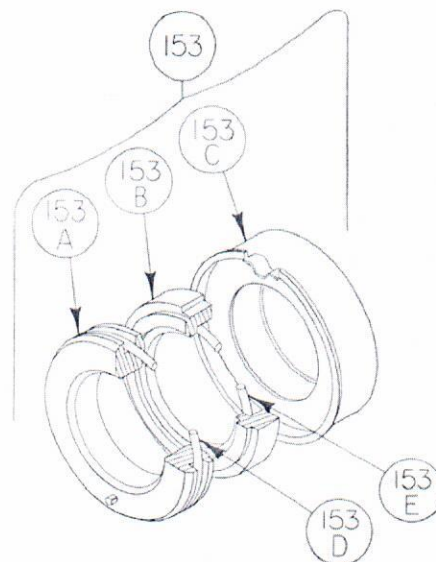
¹ Included in Maintenance Kit and Rebuild Kit ² Included in Rebuild Kit
The following applies to double end shaft pumps (LGLD): ³ Use Two ⁴ Use None
⁵ Double-Ended Rotor & Shaft. ⁶ 2" pushrod is metal, 3" is composite.
⁷ Pumps before April 2008 used Woodruff key 909130, included in Maintenance kits. ⁸ Pump before 1995 require liner key 184407.

MECHANICAL SEAL – NH₃ OR DUAL SERVICE – SNCN (ID Code = QA)

Ref. No.	Part Name	Parts Per Pump	Size 2 Part No.	Size 3 Part No.
153	Mechanical Seal Assembly	2	¹ 334439	¹ 335225
153A	Stationary Seat (Steel)	2	**	**
153B	Seal Face (Carbon)	2	**	**
153C	Jacket Assembly	2	**	**
153D	O-Ring - Stationary (Buna-N)	2	711924	702025
153E	O-Ring Rotating (Buna-N)	2	711918	711912

¹ Included in Maintenance Kit and Rebuild Kit

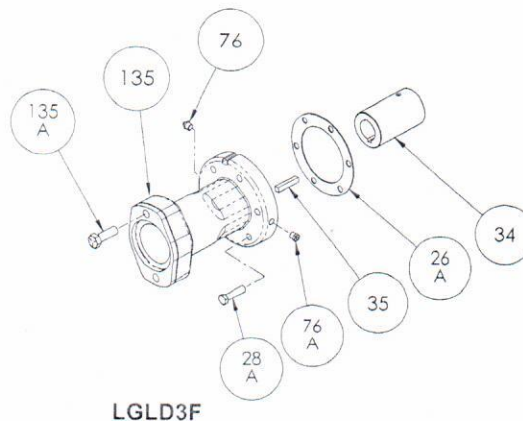
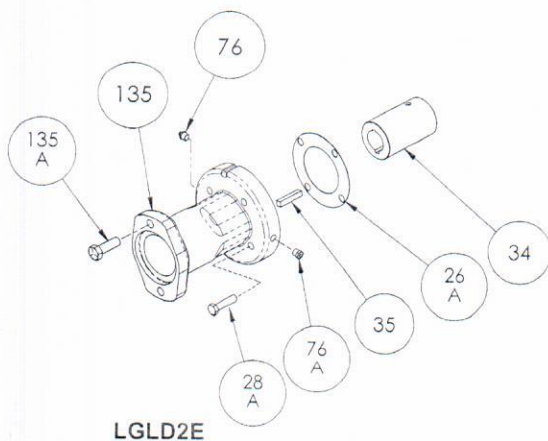
** NOTE: Mechanical Seal Ref. No. 153 is only sold as a complete assembly. Ref. Nos. 153A, 153B & 153C are not available as separate replacement parts.



OPTIONAL HYDRAULIC MOTOR ADAPTER PARTS

Ref. No.	Part Name	Parts Per Pump	Size 2 Part No. 1-1/4" Hyd Motor Shaft	Size 3 Part No. 1-1/4" Hyd Motor Shaft	Size 3 Part No. 1" Hyd Motor Shaft
See Below	Hydraulic Motor Adapter Kit *	See Below	894425	895140	895143
26A	Gasket- Hydraulic Motor Adapter	1	383940	381817	381817
28A	Capscrew – Hydraulic Motor Adapter / Head	4 / 6	920369	920369	920369
34	Coupling w/ Setscrew – straight key hydraulic motor shaft	1	906967	906967	906990
35	Key – Coupling	1	909184	909184	909184
76	Grease Fitting	1	317815	317815	317815
76A	Grease Relief Fitting	1	701992	701992	701992
135	Hydraulic Motor Adapter – SAE A Flange	1	041827	041831	041831
135A	Capscrew – Adapter / Motor	2	920510	920510	920510

* Hydraulic Motor Adapter Kits shipped prior to Spring 2002 were of a two piece design – refer to page 206-C00.



1809 Century Avenue, Grand Rapids, Michigan 49503-1530, U.S.A.
 Telephone: (616) 241-1611 / Fax: (616) 241-3752
 E-Mail: blackmer@blackmer.com / Internet: www.blackmer.com

Parts List 501-C01
 Page 2 of 2

BLACKMER PARTS LIST

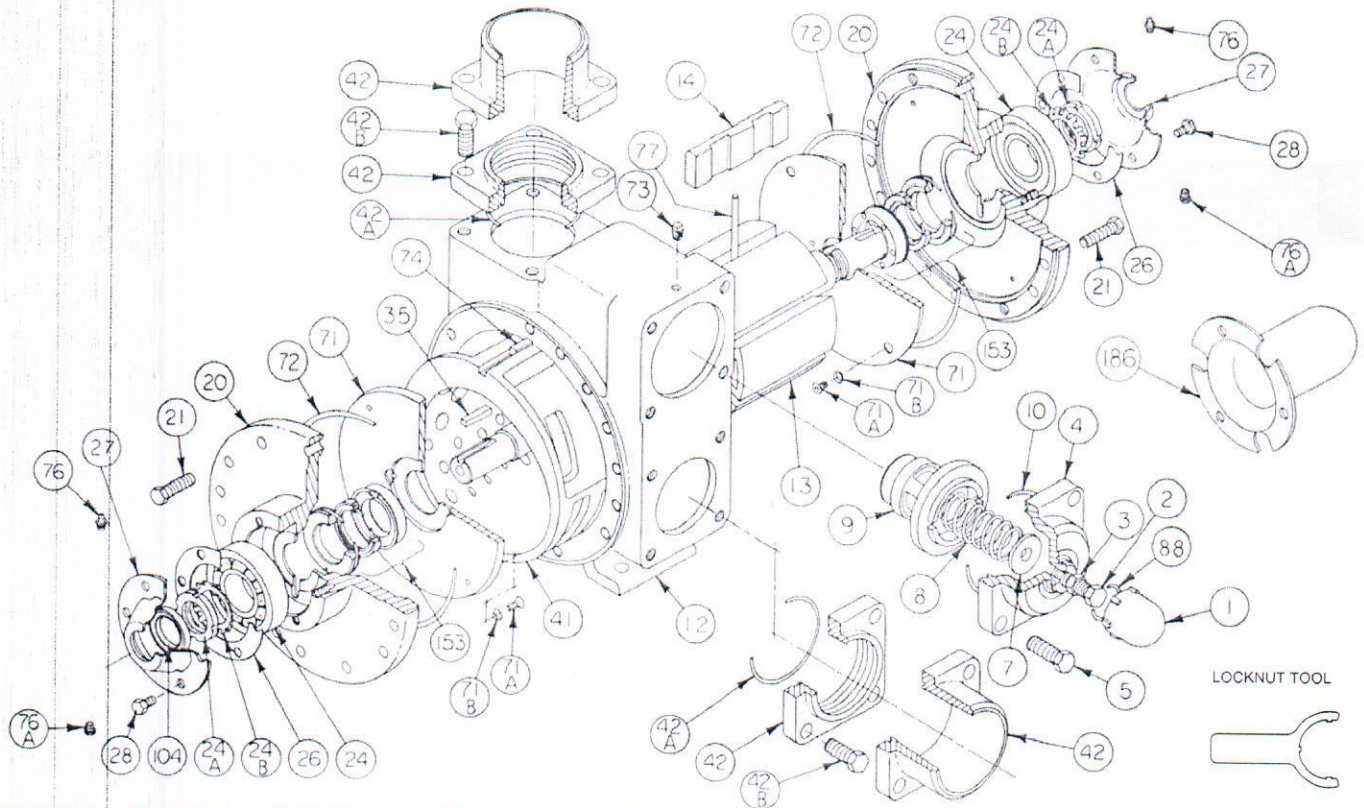
PUMP MODEL: LGLD4B

962007
Page 1 of 2

PARTS LIST
501-E01

Keep with Instructions 501-E00 for Installation, Operation and Maintenance

Section 501
Effective Jun 2011
Replaces Jan 2010



Ref. No.	Description	Parts Per Pump	Part No.	Ref. No.	Description	Parts Per Pump	Part No.
1	Cap - Relief Valve (R/V)	1	413957	41	Liner	1	² 182000
2	Adjusting Screw - R/V	1	436310	42	Flange - 3" NPT	1 - 2	652012
3	Locknut - Adjusting Screw	1	432039		Flange - 3" Weld		652007
4	Cover - R/V	1	412001		Flange - 4" Weld		652005
5	Capscrew - R/V Cover	4	920663	42A	O-Ring - NPT, Weld Flange	2	¹ 701937
7	Spring Guide - R/V	1	426355	42B	Capscrew - NPT Flange	8	920663
8	Spring - R/V	1	¹ 472039		Capscrew - Weld Flange		920640
9	Valve - R/V	1	452001	71	Disc	2	¹ 062039
10	O-Ring - R/V Cover	1	¹ 701946	71A	Machine Screw - Disc	8	² 920015
12	Casing	1	012019	71B	Lockwasher - Machine Screw	8	² 909634
13	Rotor & Shaft Asy. Dbl. End (Includes Ref. No. 24A & 24B)	1	² 262041	72	O-Ring - Head	2	¹ 702039
14	Vane - Duravane	6	¹ 092019	73	Gage Plug	2	908198
20	Head	2	032041	74	Key - Liner	1	² 182040
21	Capscrews - Head	28	920532	76	Grease Fitting	2	317815
24	Ball Bearing	2	¹ 903166	76A	Grease Relief Fitting	2	701992
24A	Locknut - Bearing	2	² 903541	77	Push Rod - composite - LGLD4B	3	¹ 122009
24B	Lockwasher - Bearing	2	¹ 903542	88	O-Ring - R/V Cap	1	¹ 701926
26	Gasket - Bearing Cover	2	¹ 385125	104	Grease Seal - LGLD4B	2	¹ 331908
27	Bearing Cover - LGLD4B	2	041815	186	Shaft Protector	1	341801
28	Capscrews - Bearing Cover	12	920285		Tool - Locknut		903092
35	Key - Shaft	1	¹ 909183		Kit - Maintenance		898922
					Kit - Rebuild -LGLD4B		899022

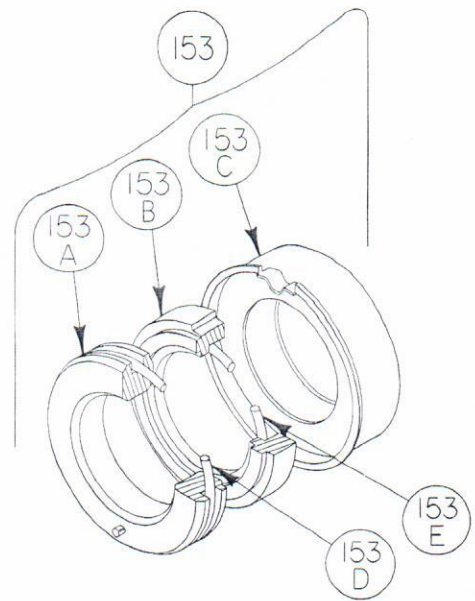
¹ Included in Maintenance Kit and Rebuild Kit ² Included in Rebuild Kit only

MECHANICAL SEAL - STANDARD

Ref. No.	Part Name	Parts Per Pump	Part No.
153	Mechanical Seal Assembly	2	¹ 332050
153A	Stationary Seat (Hardened Steel)	2	**
153B	Seal Face (Carbon)	2	**
153C	Jacket Assembly	2	**
153D	O-Ring - Stationary (Buna-N)	2	701934
153E	O-Ring - Rotating (Buna-N)	2	711912

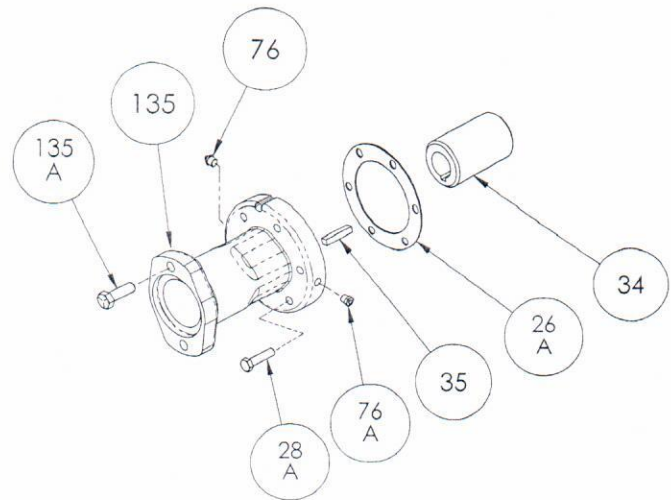
¹ Included in Maintenance Kit and Rebuild Kits

** NOTE: Mechanical Seal Ref. No. 153 is only sold as a complete assembly.
Ref. Nos. 153A, 153B & 153C are not available as separate replacement parts.

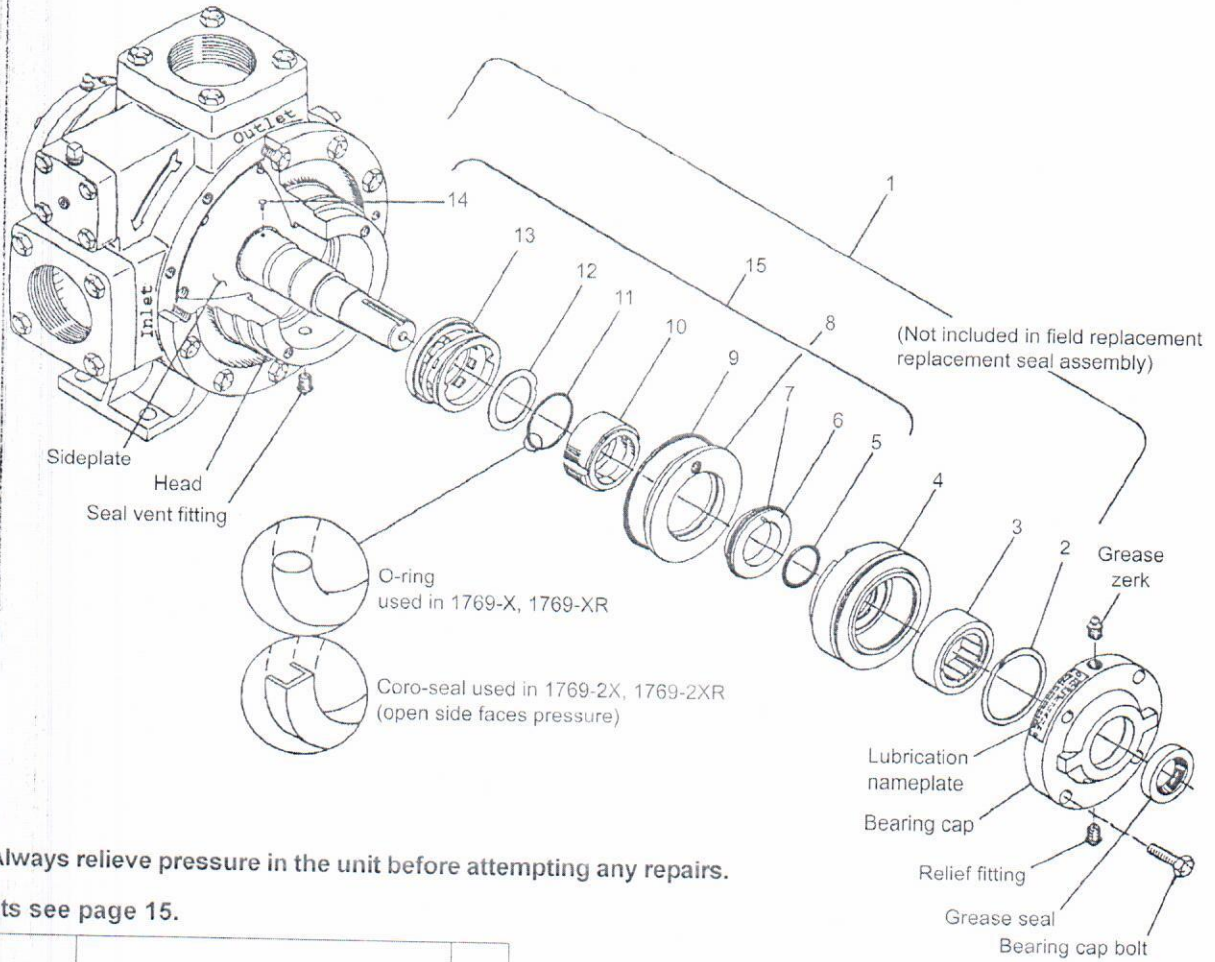


HYDRAULIC MOTOR ADAPTER PARTS

REF. NO.	PART NAME	PARTS PER PUMP	PART NO.
See Below	Hydraulic Motor Adapter Kit *	See Below	892037
26A	Gasket – Hydraulic Motor Adapter	1	381817
28A	Capscrew – Hydraulic Motor Adapter / Head	6	920369
34	Coupling w/ Setscrew – 1.25" straight key hyd. motor shaft	1	906970
35	Key – Coupling	1	909184
76	Grease Fitting	1	317815
76A	Grease Relief Fitting	1	701992
135	Hydraulic Motor Adapter – SAE A Flange	1	041829
135A	Capscrew – Adapter / Motor	2	920510



Parts Details For A Stationary Coro-Vane® Seal Assembly (1769-XRA) Models 521, 1021, F1021 and F1521



CAUTION: Always relieve pressure in the unit before attempting any repairs.

For repair kits see page 15.

Ref. No.	Part No.	Description	Qty
1	1769-X_	Complete seal assembly ¹	1
	1769-2X	Complete seal assy Coro-Seal	1
2	2760-244	Retainer ring	1
3	2754-X	Roller bearing, complete	1
	2754	Bearing outer race	1
	2755	Bearing inner race	1
4	1769	Bearing housing	1
5	2-128_ ³	Shaft O-ring ¹	1
6	—	Seat	1
7	2-227_	Seat O-ring ¹	1
8	1822	Seat adapter plate	1
9	2-240_	Adapter plate O-ring ¹	1
10	—	Carbon	1
11	2-223_	Rotor O-ring ¹	1
12	—	Disc	1
13	—	Retainer assembly	1
14	2701	Drive pin	1
15	1769-XR_	Field replacement seal assembly ¹	1
	1769-2XR_	Field repl. seal assy Coro-Seal ¹	1

O-ring Code	
A	Buna-N
B	Neoprene ^{®2}
D	Viton ^{®2}
E	Teflon ^{®2}

¹ _ denotes O-ring code. See chart to the right for details.

² Registered trademark of the DuPont company

³ Available in Buna-N only

Repair Kits and Spare Parts For Stationary Coro-Vane® Pumps

C51/F51 Standard Repair Parts (no kit available)

2296-1X_5	Seal assembly	1
2451-2	Vane	8
2-154	Case O-ring	2
2491	Sideplate	2

521 Repair Kit 2904-X2¹

1163-2	Sideplate	2
1168-7	Vane	10
1358	Grease seal	2
1769-XRA	Seal assembly (replacement)	2
2-112A	O-ring, Buna-N	1
2-224A	O-ring, Buna-N	1
2-227A	O-ring, Buna-N	2
2-234A	O-ring, Buna-N	2
2-261A	O-ring, Buna-N	2
2010	Flange gasket	3
2014	Grease seal, thrust	1
2754-X	Roller bearing	2

1021/F1021 Repair Kit 2906-X2¹

1209-1	Sideplate	2
1308-9	Vane	10
1358	Grease seal	2
1769-XRA	Seal assembly (replacement)	2
2-112A	O-ring, Buna-N	1
2-228A	O-ring, Buna-N	1
2-245A	O-ring, Buna-N	2
2-249A	O-ring, Buna-N	2
2-268A	O-ring, Buna-N	2
2014	Grease seal, thrust	1
2754-X	Roller bearing	2

F1521 Repair Kit 2907-X3¹

1358	Grease seal	2
1769-XRA	Seal assembly (replacement)	2
2-234A	O-ring, Buna-N	3
2-238A	O-ring, Buna-N	1
2-245A	O-ring, Buna-N	1
2-249A	O-ring, Buna-N	1
2-268A	O-ring, Buna-N	2
2014	Grease seal, thrust	1
2754	Bearing outer race	2
3209	Ball bearing	1
3476-L	Sideplate, left	1
3476-R	Sideplate, right	1
3477	Vane	6

C51/F51 Additional Spare Parts

For complete list of parts see page 16

2492-X	Rotor & shaft assembly	1
2471	Roller bearing	2

521 Additional Spare Parts

For complete list of parts see page 18 and 19

1166-1X1R	Rotor & shaft assembly	1
1162-2	Cam (liner)	1

1021/F1021 Additional Spare Parts

For complete list of parts see page 18–20

1208-1X1R	Rotor & shaft assembly	1
1201-2	Cam (liner)	1

F1521 Additional Spare Parts

For complete list of parts see page 21

3350-X1R	Rotor & shaft assembly	1
1792-1	Cam (liner)	1

¹All repair kits have Buna-N O-rings which are suitable for both LPG and NH₃ applications.